

Step 1 Post Preparation

When installing the Smart Rail System with American Edge surface posts (preferred method) follow the instructions included with the post mounts. When using 4x4 wood posts, slide Smart Rail post sleeves over the wood post until flush with the walking surface. (see Figure 1)

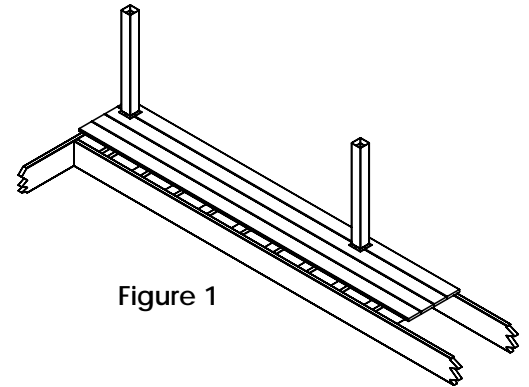


Figure 1

Step 2 Bottom Rail & Bracket Preparation

The proper level of placement of bottom rail is 3-7/8" above the walking surface (see Figure 2a).

Make a pencil mark at the bottom of the lower rail on the post. Measure down 3/16" below previous mark, then square and center the bottom of the mounting bracket. Mark screw holes in the four corners of the bracket and then pre-drill four 5/32" holes. Screw the bracket base into place with four (4) #12 x 1" S.S. flat head screws (see Figure 2b). Repeat the opposite post.

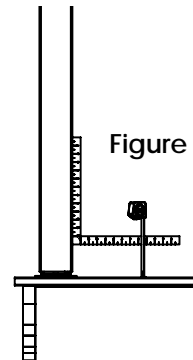


Figure 2a

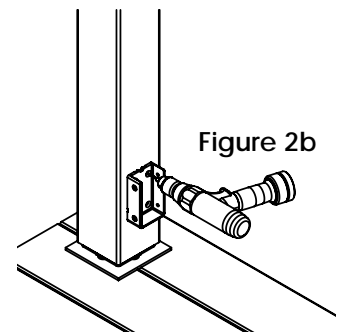


Figure 2b

After the bottom mounting brackets are in place, measure from the bottom of bracket up 32-5/16" for a 36" high rail or 38-5/16" for a 42" high rail and mark the spot with a pencil. This will be the mounting mark for the top of the top bracket. (See Figure 2c).

Square and center the top mounting bracket on mark and pre-drill four 5/32" holes. Screw into place using four (4) #12 x 1" S.S. flat head screws (See Figure 2d) Repeat on opposite post.

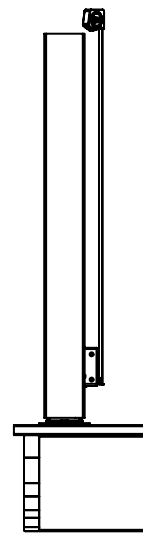


Figure 2c

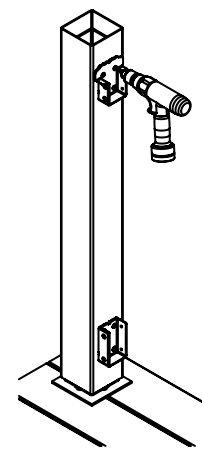


Figure 2d

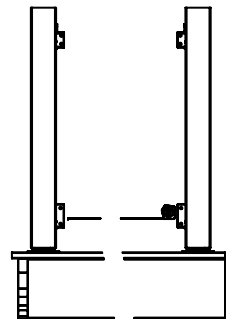


Figure 2e

Cut bottom rail to length. Measure span between the inside mounting brackets for the bottom rail. Make sure you have equal and maximum amount of spacing between baluster and post on each end. Cut rail squarely with a power miter box or hacksaw (see Figure 2e)

Step 3 Mounting Bottom Rail

With bottom rail cut to length, set rail into bottom rail brackets. Next pre-drill four 5/32" holes into rail, then use four (4) #12 x 1" S.S. flat head screws to fasten (see Figure 3). Repeat the opposite post.

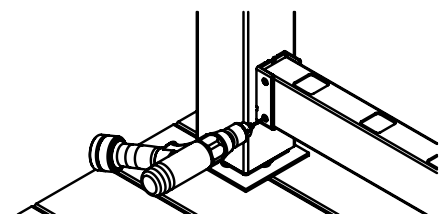


Figure 3

